

BENEFITS

Highest Efficiency

SunPower™ Solar Panels are the most efficient photovoltaic panels on the market today.

More Power

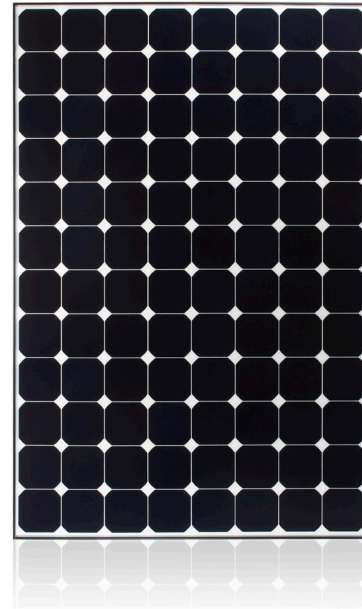
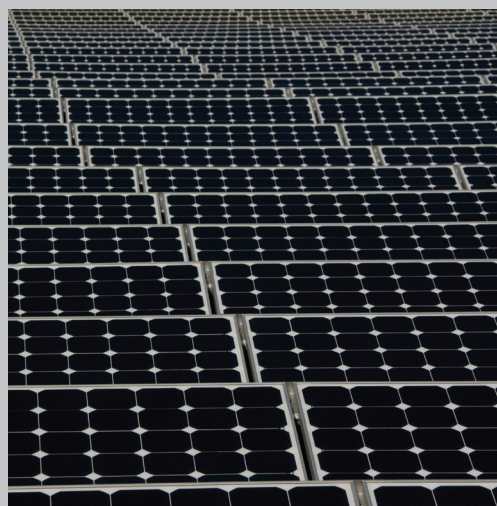
Our panels produce more power in the same amount of space—up to 50% more than conventional designs and 100% more than thin film solar panels.

Reduced Installation Cost

More power per panel means fewer panels per install. This saves both time and money.

Reliable and Robust Design

Proven materials, tempered front glass, and a sturdy anodised frame allow panel to operate reliably in multiple mounting configurations.



The SunPower™ 300 Solar Panel provides today's highest efficiency and performance. Utilising 96 SunPower all back-contact solar cells, the SunPower 300 delivers a total panel conversion efficiency of 18,4%. The 300 panel's reduced voltage-temperature coefficient and exceptional low-light performance attributes provide outstanding energy delivery per peak power watt.

SunPower's High Efficiency Advantage - Up to Twice the Power

	Thin Film	Conventional	SunPower
Peak Watts / Panel	65	215	300
Efficiency	9,0%	12,8%	18,4%
Peak Watts / m ²	90	128	184

About SunPower

SunPower designs, manufactures and delivers high-performance solar electric technology worldwide. Our high-efficiency solar cells generate up to 50% more power than conventional solar cells. Our high-performance solar panels, roof tiles and trackers deliver significantly more energy than competing systems.

Electrical Data

Measured at Standard Test Conditions (STC): Irradiance 1000W/m², AM 1,5, and cell temperature 25° C

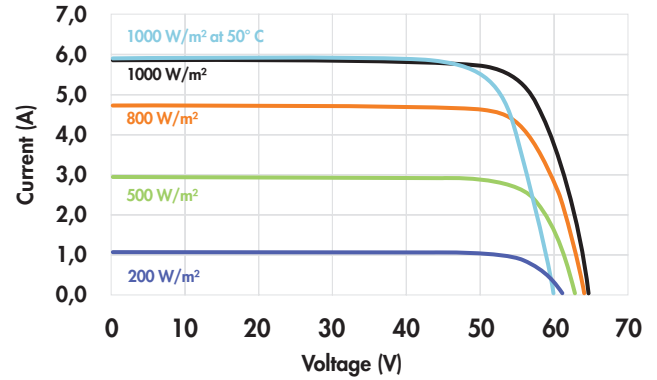
Nominal Power (+5/-3%)	P _{nom}	300 W
Rated Voltage	V _{mpp}	54,7 V
Rated Current	I _{mpp}	5,49 A
Open Circuit Voltage	V _{oc}	64,0 V
Short Circuit Current	I _{sc}	5,87 A
Maximum System Voltage	IEC	1000 V
Temperature Coefficients		
	Power	-0,38% / K
	Voltage (V _{oc})	-176,6mV / K
	Current (I _{sc})	3,5mA / K
NOCT		45° C +/-2° C
Series Fuse Rating		15 A
Limiting Reverse Current (3-strings)	I _r	14,7 A

Electrical Data

Measured at Nominal Operating Cell Temperature (NOCT): Irradiance 800W/m², AM 1,5

Nominal Power	P _{nom}	220 W
Rated Voltage	V _{mpp}	50,1 V
Rated Current	I _{mpp}	4,40 A
Open Circuit Voltage	V _{oc}	59,9 V
Short Circuit Current	I _{sc}	4,75 A

I-V Curve



Current/voltage characteristics with dependence on irradiance and module temperature.

Tested Operating Conditions

Temperature	-40° C to +85° C
Max load	245 kg / m ² (2400 Pa) front and back - e.g. wind
Impact Resistance	Hail – 25 mm at 23 m/s

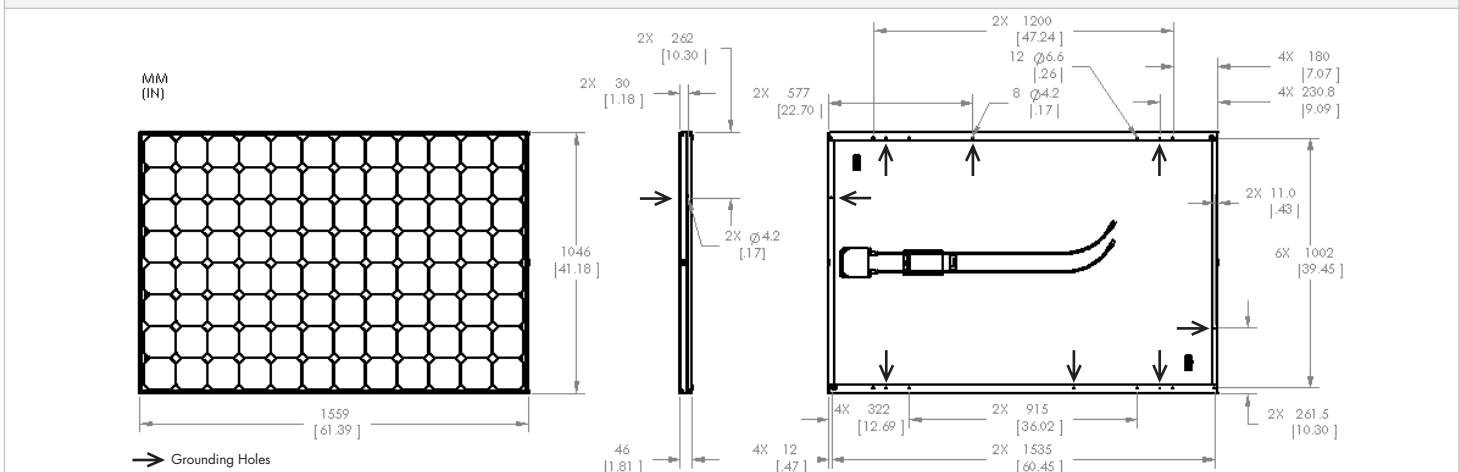
Warranties and Certifications

Warranties	25 year limited power warranty 10 year limited product warranty
Certifications	IEC 61215 Ed. 2, IEC 61730 (SCII)

Mechanical Data

Solar Cells	96 SunPower all-back contact monocrystalline	Output Cables	1000mm length cables / MultiContact (MC4) connectors
Front Glass	high transmission tempered glass	Frame	Anodised aluminium alloy type 6063 (black)
Junction Box	IP-65 rated with 3 bypass diodes 32 x 155 x 128 (mm)	Weight	18,6 kg

Dimensions



CAUTION: READ SAFETY AND INSTALLATION INSTRUCTIONS BEFORE USING THE PRODUCT.

Visit sunpowercorp.com for details